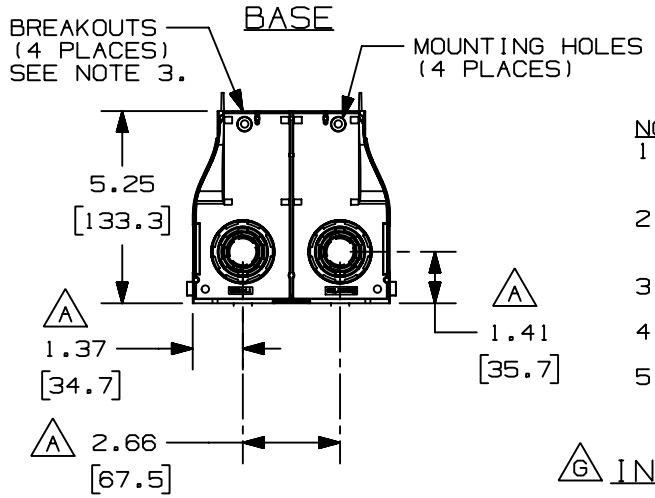
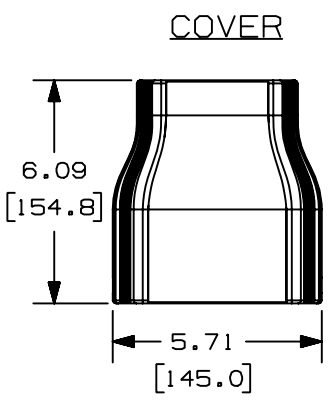


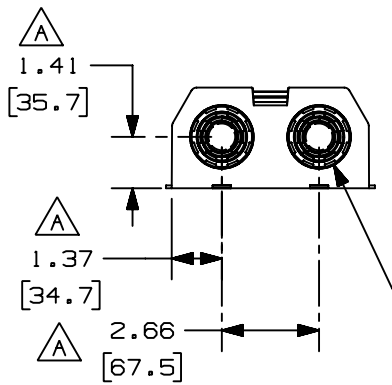
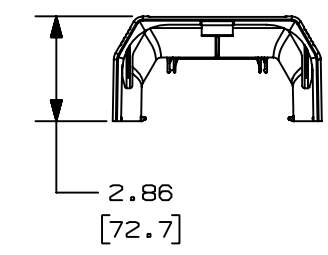
THIS COPY IS PROVIDED ON A RESTRICTED BASIS AND IS NOT TO BE USED IN ANY WAY DETRIMENTAL TO THE INTERESTS OF PANDUIT CORP.



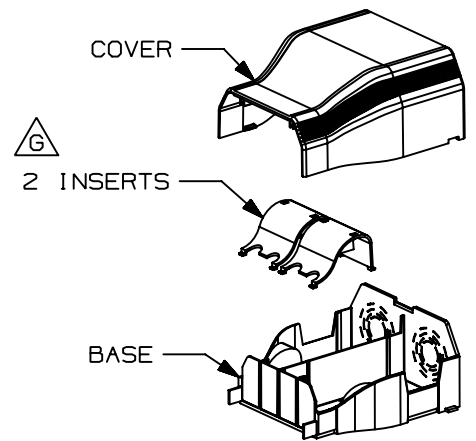
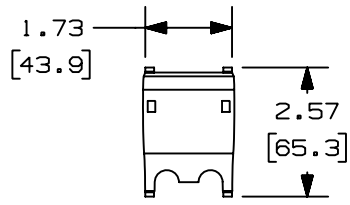
PANDUIT P/N	WEIGHT
T70EE	.705 LBS (319.79 g)



- NOTES:**
- SEE CURRENT CATALOG FOR ADDITIONAL PART SUFFIXES TO INDICATE COLOR AND OR PACKAGE QUANTITY.
 - CONCENTRIC BREAKOUTS TO ACCOMMODATE CONDUIT SIZES OF 1/2", 3/4", 1", AND 1 1/4" DIAMETERS.
 - BREAKOUTS FOR MAINTAINING POWER AND DATA ENTRY SEPARATION.
 - COVER IS EXTENDED OUT AND DOWN AROUND SIDES OF BASE WHEN ASSEMBLED.
 - DIMENSIONS IN PARENTHESIS ARE IN METRIC.



G INSERT



CAD FILENAME/LAYERS **F** D36036BC_DC_T70EE_04A.prt

REV	DATE	BY	CHK	DESCRIPTION	ECN	CHK	CUST	SUP
-	-----	----	--	I. REVISED PART DESCRIPTION IN TITLE BLOCK H. REVISED WEIGHT INFORMATION	-----	----	----	
4	08-16-04	JBN	PM	G. ADDED BEND RADIUS INSERTS F. REVISED CAD FILE NAME	36036-04	RGRO	RGRO	
3	08-10-00	MSO	BKR	E. REMOVED LOCAL NOTE	36036-04	HIW	HIW	
-	-----	----	----	D. REVISED DRAWING TITLE	-----	---	---	
2	01-27-00	JHNU	HIW	C. 6.93LB/(31136) WAS 6.3LB/(28306) B. PVC WAS ABS/PC	36036-04	HIW	HIW	
1	01-12-00	JHNU	HIW	A. ADDED DIMENSIONS FOR BREAKOUTS	36036-04	HIW	HIW	
R	07-23-97	DW	HIW	RELEASED TO PRODUCTION	36036-04	HIW	HIW	

PANDUIT CORP. TINLEY PARK, ILLINOIS

T70 ENTRANCE END FITTING (T70EE)
CUSTOMER DRAWING

UNLESS OTHERWISE SPECIFIED, DIMENSIONAL TOLERANCES ARE:
(.X) ± (.XXX) ±
(.XX) ±.03(.8) ANGLES ±

UNLESS OTHERWISE SPECIFIED, ALL DIMENSIONS ARE GIVEN IN INCHES, THIRD ANGLE PROJECTION.

DRAWN BY DW MAT'L: PVC
DATE 07-23-97
CHECKED BY HIW

SCALE NONE
DRAWING NO. 36036-04
DWG SIZE A